



Moving Forward

Product Catalogue / 2020 v1

Email - info@trackbatteries.com

OUR MISSION

To be a leading supplier of high quality products through competitive pricing and incomparable customer service allowing us to embrace the opportunity to develop and sustain healthy relationships with our distributors, while exercising the utmost respect for our people, governance and environment.

OUR VISION

To establish TRACK internationally as a trusted and reliable brand by partnering state of the art manufacturing with a top class distributor network.

ABOUT TRACK BATTERIES

A stalwart in the automotive industry since 1983, TRACK Batteries has established itself as one of the region's leading battery brands, known for its superior quality, reliability and unparalleled customer service.

Over the years TRACK Batteries has expanded its range of products to over 300 SKUs covering automotive, industrial, marine, and green energy harvesting applications. TRACK Batteries is committed to maintaining OE quality products while remaining on the leading edge of innovation.

Our products are manufactured in compliance with ISO 14001, TS-ISO 16949, ISO 9001, TS-50342-1 and OHSAS 18001 and our robust production capability assures continuous supply to all of our customers.

PREMIUM

Our TRACK Premium range has been on the market for over 30 years and provides superior performance for all European, Japanese and American manufactured vehicles. TRACK Premium Batteries are sealed maintenance free and comes with a battery status indicator (above cover indicator).



DIN SMF BATTERIES



| MODEL | BCI | BOX TYPE | HOLD DOWN | LAYOUT | TERMINAL | CA | CCA | HCA | L | W | H | C ₂₀ | RC |
|--------|-------|----------|-----------|--------|----------|-----|-----|-----|-----|-----|-----|-----------------|-----|
| DIN45 | 42/90 | L2B | B14 | 0 | 1 | 460 | 430 | 500 | 242 | 175 | 175 | 55 | 60 |
| DIN66 | 41/91 | L3B | B14 | 0 | 1 | 650 | 610 | 720 | 278 | 175 | 175 | 66 | 100 |
| DIN88 | 94 | L4B | B13 | 0 | 1 | 850 | 790 | 900 | 315 | 175 | 175 | 88 | 158 |
| DIN100 | 93 | L5B | B13 | 0 | 1 | 950 | 880 | 980 | 353 | 175 | 175 | 100 | 165 |



JIS SMF BATTERIES



| MODEL | BCI | BOX TYPE | HOLD DOWN | LAYOUT | TERMINAL | CA | CCA | HCA | L | W | H | C ₂₀ | RC |
|--------|-------|----------|-----------|--------|----------|-----|-----|-----|-----|-----|-----|-----------------|-----|
| NS60L | 51 | NS60 | - | 0 | 3 | 560 | 500 | 620 | 236 | 128 | 226 | 60 | 90 |
| NS60R | 51 | NS60 | - | 1 | 3 | 560 | 500 | 620 | 236 | 128 | 226 | 60 | 90 |
| 55D23L | 25/35 | D23 | B3 | 0 | 1 | 630 | 520 | 705 | 230 | 172 | 225 | 60 | 98 |
| NS70L | 24 | N50 | - | 0 | 1 | 620 | 520 | 670 | 260 | 173 | 225 | 70 | 90 |
| NS70R | 24 | N50 | - | 1 | 1 | 620 | 520 | 670 | 260 | 173 | 225 | 70 | 90 |
| N70ZL | 27 | N70 | - | 0 | 1 | 780 | 700 | 850 | 306 | 176 | 225 | 90 | 130 |
| N70ZR | 27 | N70 | - | 1 | 1 | 780 | 700 | 850 | 306 | 176 | 225 | 90 | 130 |

HEAVY DUTY

Our TRACK Heavy Duty Series is built to support heavy duty and industrial vehicles for Construction, Road Works and Off Highway Transport Vehicles. The Heavy Duty series comes maintenance free and sealed maintenance free.



SMF BATTERIES



| MODEL | BCI | BOX TYPE | HOLD DOWN | LAYOUT | TERMINAL | CA | CCA | HCA | L | W | H | C ₂₀ | RC |
|---------|-----|----------|-----------|--------|----------|------|------|------|-----|-----|-----|-----------------|-----|
| N100 | - | H4 | B3 | 1 | 0 | 780 | 710 | 850 | 346 | 175 | 230 | 100 | 180 |
| N100CS | 31 | BCI31 | - | 19 | 1 | 840 | 750 | 930 | 330 | 172 | 238 | 90 | 142 |
| N100-90 | - | H3 | B3 | 1 | 0 | 680 | 650 | 780 | 350 | 175 | 235 | 90 | 158 |
| N120 | - | D4A | B3 | 3 | 1 | 1000 | 870 | 1250 | 513 | 189 | 223 | 120 | 211 |
| N150 | 4D | D5 | - | 3 | 1 | 1175 | 970 | 1300 | 513 | 223 | 223 | 150 | 275 |
| N200 | 8D | D6 | - | 3 | 1 | 1350 | 1190 | 1500 | 517 | 275 | 242 | 200 | 380 |

KEY FOR BATTERY SPECIFICATION TABLES

- BCI: BCI Group Number
- HOLD DOWN: Base hold down design
- *TERMINAL: Terminal Type
- *LAYOUT: Terminal Layout
- CA : Cranking Amps at 0°C
- CCA: Cold Cranking Amps at 0°F
- HCA: Hot Cranking Amps at 30°C
- *L/W/H: Length, Width and Height Dimensions (mm)
- C₂₀: 20hr Capacity (Ah)
- RC: Reserve Capacity (Minutes)

*Refer to Technical Data for more information



REFER TO PAGE 9 FOR DETAILS ON TRACK SPECIFICATION
BENEFITS / CUSTOMER VALUE PROPOSITION
OR VISIT:

www.trackbatteries.com

E-SERIES

The TRACK E-Series range provides economically priced batteries for the automotive market. The range is compatible with all American, Japanese and European vehicles.



DIN SMF BATTERIES



| MODEL | BCI | BOX TYPE | HOLD DOWN | LAYOUT | TERMINAL | CA | CCA | HCA | L | W | H | C ₂₀ | RC |
|--------|-------|----------|-----------|--------|----------|-----|-----|-----|-----|-----|-----|-----------------|-----|
| ED400 | 99 | L1B | B13 | 0 | 1 | 360 | 330 | 400 | 207 | 175 | 175 | 36 | 57 |
| ED650 | 42/90 | L2B | B14 | 0 | 1 | 460 | 430 | 510 | 242 | 175 | 175 | 50 | 63 |
| ED1200 | 41/91 | L3B | B14 | 0 | 1 | 620 | 580 | 700 | 278 | 175 | 175 | 60 | 81 |
| ED1800 | 94 | L4B | B13 | 0 | 1 | 760 | 700 | 820 | 315 | 175 | 175 | 75 | 102 |
| ED2000 | 93 | L5B | B13 | 0 | 1 | 900 | 810 | 950 | 353 | 175 | 175 | 85 | 134 |



JIS SMF BATTERIES

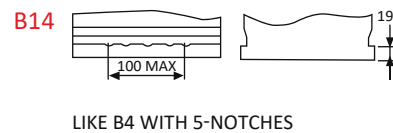
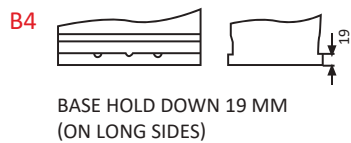
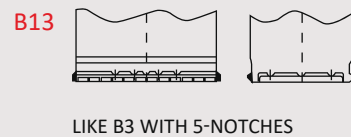
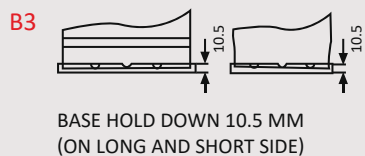
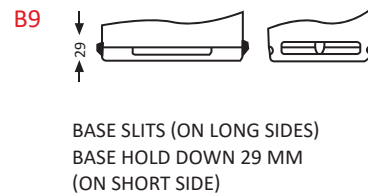
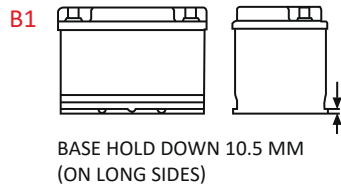


| MODEL | BCI | BOX TYPE | HOLD DOWN | LAYOUT | TERMINAL | CA | CCA | HCA | L | W | H | C ₂₀ | RC |
|--------|-----|----------|-----------|--------|----------|-----|-----|-----|-----|-----|-----|-----------------|-----|
| E400L | * | NS40 | - | 0 | 3 | 310 | 280 | 350 | 196 | 128 | 227 | 40 | 54 |
| E650L | 51 | NS60 | - | 0 | 3 | 390 | 360 | 430 | 236 | 128 | 226 | 45 | 60 |
| E650R | 51 | NS60 | - | 1 | 3 | 390 | 360 | 430 | 236 | 128 | 226 | 45 | 60 |
| E1100L | 24 | N50 | - | 0 | 1 | 540 | 490 | 600 | 260 | 173 | 225 | 50 | 81 |
| E1100R | 24 | N50 | - | 1 | 1 | 540 | 490 | 600 | 260 | 173 | 225 | 50 | 81 |
| E1500L | 27 | N70 | - | 0 | 1 | 700 | 620 | 770 | 306 | 176 | 225 | 70 | 104 |
| E1500R | 27 | N70 | - | 1 | 1 | 700 | 620 | 770 | 306 | 176 | 225 | 70 | 104 |

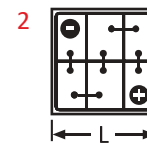
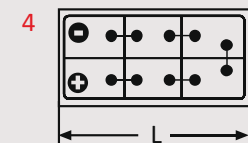
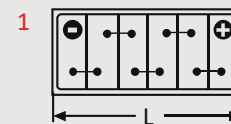
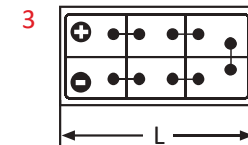
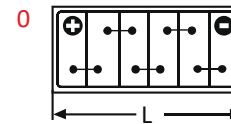
TECHNICAL DATA

Our Technical data section displays the terminal polarity, hold down clamps, terminal types and configuration as well as the dimensions of each battery model. These characteristics are laid out for users to ensure the highest level of accuracy when determining the model required for the respective application.

BASE HOLD DOWN TYPES



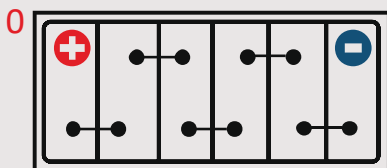
TERMINAL LAYOUT



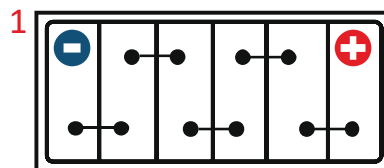
VISUAL REPRESENTATION OF BATTERIES AND TERMINAL LAYOUT



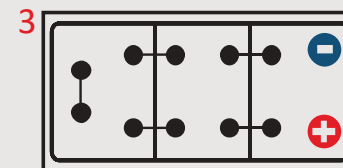
TRACK PREMIUM DIN66



TRACK PREMIUM NS70R

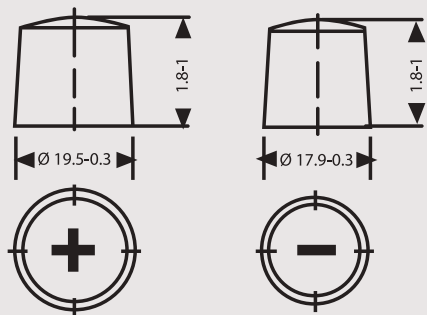


TRACK HEAVY DUTY N120

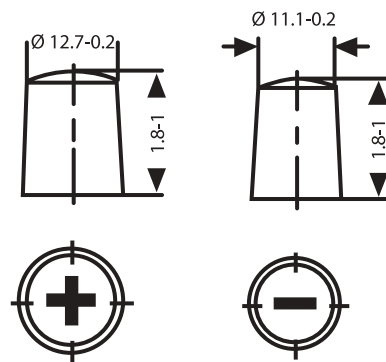


FOR MORE INFORMATION AND DETAILS, PLEASE FEEL FREE TO EMAIL:
info@trackbatteries.com or visit us online at www.trackbatteries.com

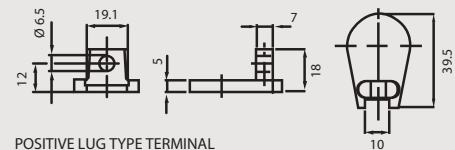
TERMINAL TYPE



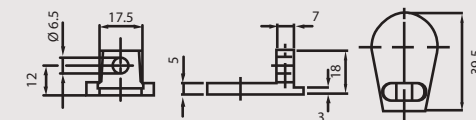
1 TAPERED TERMINAL
IN COMPLIANCE WITH DIN 72311 T.4



3 SMALL DIAMETER TAPERED TERMINAL (JIS)



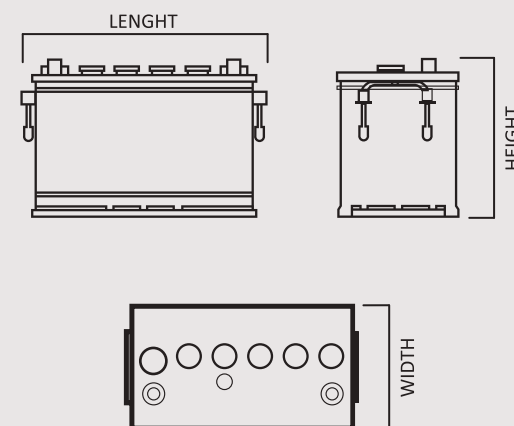
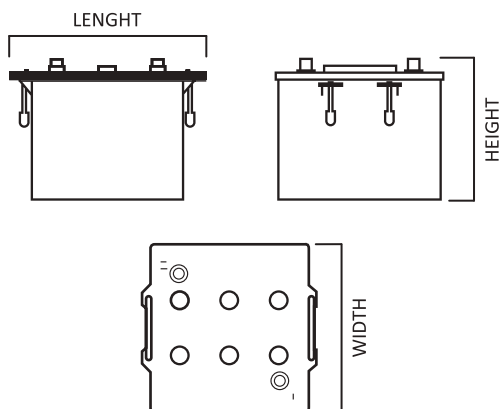
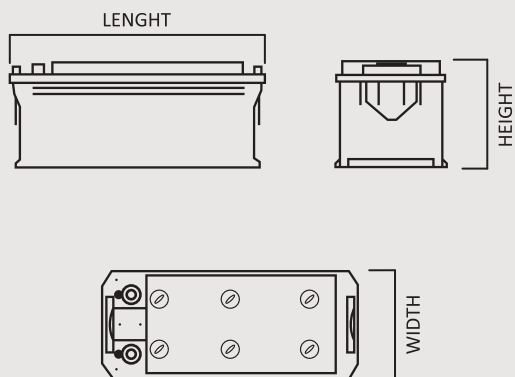
POSITIVE LUG TYPE TERMINAL



NEGATIVE LUG TYPE TERMINAL

19 LOW PROFILE THREADED TERMINAL

BATTERY DIMENSION REFERENCE





THE FOLLOWING INFORMATION RELATES TO THE HANDLING AND INSTALLATION OF LEAD-ACID BATTERIES



EXPLOSION HAZARD

A highly explosive gas mixture is produced during charging lead-acid batteries.



WEAR EYE PROTECTION



FIRE, SPARKS, NAKED LIGHTS AND SMOKING ARE PROHIBITED

- Avoid causing sparks when dealing with cables and electrical equipment.
- Avoid short-circuits.



KEEP CHILDREN AWAY FROM ACID AND BATTERIES



CORROSION HAZARD

Batteryacid is highly corrosive, therefore:

- Wear protective gloves and eye protection.
- Do not tilt battery; acid can escape from the degassing openings or vents.

DISCOVER THE TRACK ADVANTAGE

THE TRACK ADVANTAGE

As modern vehicles become more advanced and utilize complex electronic systems, a reliable power supply has become more critical to vehicle performance. Vehicle owners and drivers are choosing performance and hassle-free options to minimize long-term cost and reduce maintenance downtime.

At TRACK, we've responded to these changes with the development of the "TRACK Advantage". These 3 technological-based features have been designed to optimize performance in harsher climates and driving conditions. With the TRACK Advantage vehicle owners will now have a product designed to meet their needs, backed by the industry's leading, hassle-free replacement warranty on manufacturer defects.



Delivering the maximum amount of cranking amps needed to power your vehicle's engine.



Reinforced calcium-calcium coated alloy plates for prolonged battery performance.



Designed for the toughest driving terrains and conditions.

HEAD OFFICE

PO Box 2345
36-38 Gaston Street, Lange Park, *Chaguanas*
500702
Telephone: (868) 665-9477
Fax: (868) 665-9964

FACTORY LOCATION

Lot 23k Yorke Avenue, O'meara Industrial Estate
Arima, Trinidad and Tobago
Telephone: (868) 235-5250
Fax: (868) 237-9465



www.trackbatteries.com